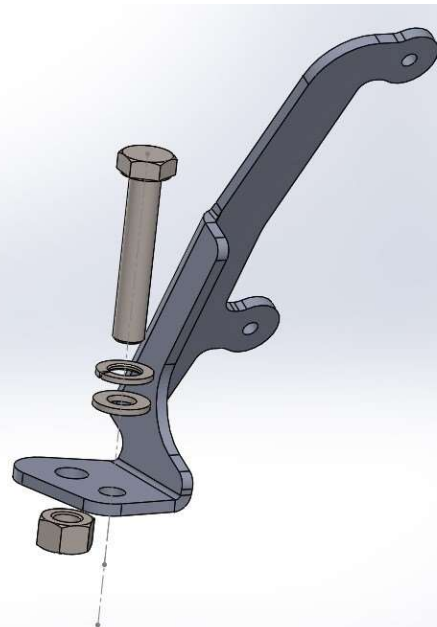


NIU MQi GT (2022)

3455/A att. 3457/E



ASSEMBLY SEQUENCE



LEFT SIDE

- 1) Remove the original mirror from the handlebar
- 2) Fix the plate with flat washer, spring washer and M8x30 screw, without tightening.
- 3) Repeat points 1 and 2 on the right side
- 4) Center the windshield and tighten all hardware.
- 5) Fix the mirrors using the nuts supplied in the package

Bracket RH/LH	1+1
Flat washer $\varnothing 8$	4
Grower $\varnothing 8$	2
Bolt M8x30	2
Nut M8	2