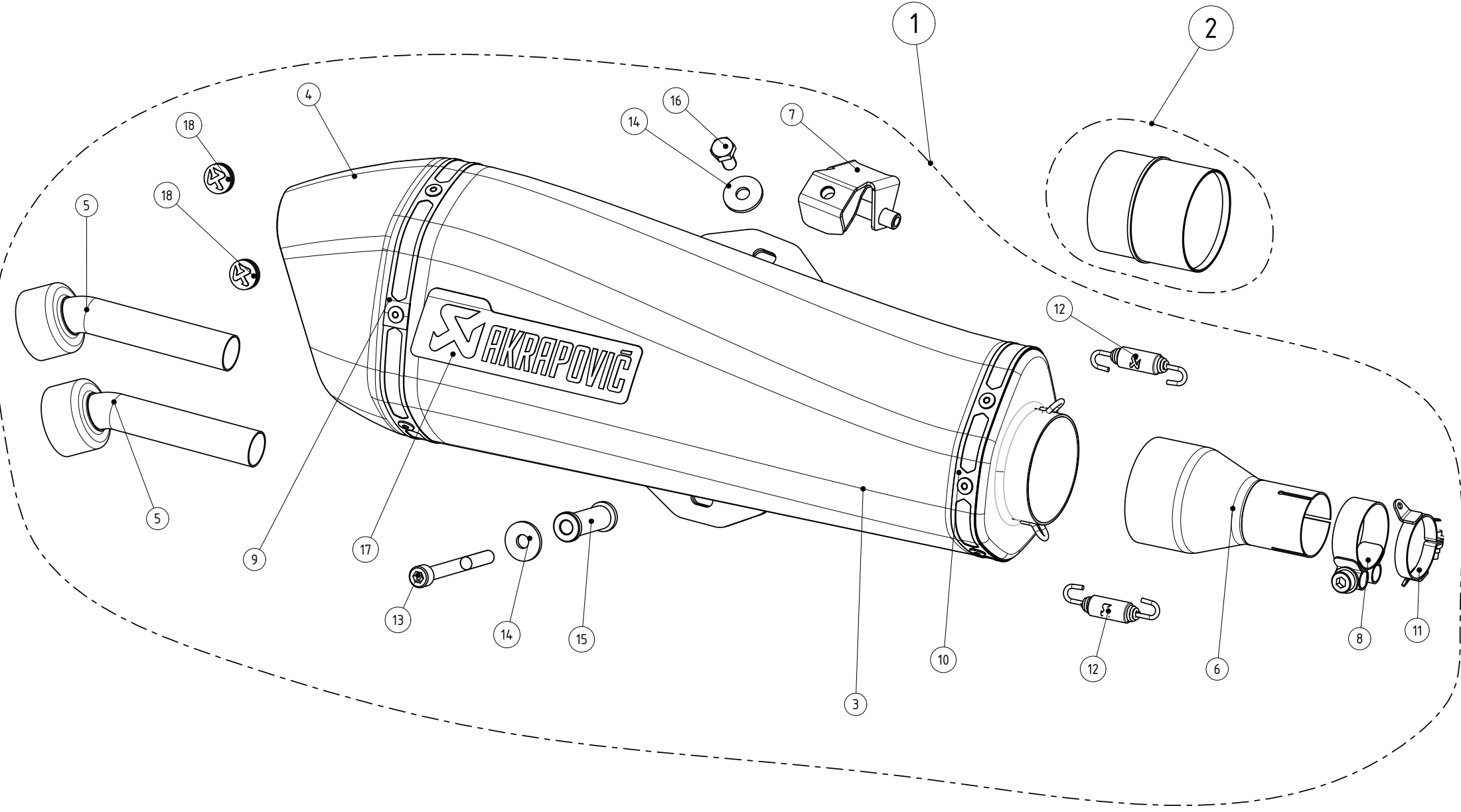


WARNING! EC TYPE APPROVAL IS VALID ONLY WHEN OPTIONAL CATALYTIC CONVERTER IS INSTALLED!



MUFFLER REPAIR KITS	
REPACK	19
SLEEVE	20

No.	SALES CODE	DESCRIPTION	QTY.
1	S-PI4SO3-HRSS	slip on system	1
2	P-KAT-028	catalyst	1
3	M-HZAA00202SS02	muffler SS	1
4	V-EC148	end cap CA	1
5	V-TUV114	insert SS	2
6	L-PI4SO1SS	link pipe	1
7	P-X116	bracket SS	1
8	P-R53	clamp ss	1
9	P-TT28	belt TI for TI sleeve	1
10	P-TT43	belt TI for TI sleeve	1
11	P-R54R	clamp SS	1
12	P-S2	spring	2
13	P-FB79	bolt	1
14	P-DR4	washer SS	2
15	P-DR70	spacer bushe AL	1
16	P-FB64	screw FE	1
17	P-HST2AL	sticker	1
18	P-GUV004	rubber insert	2
19	P-RPCK60	muffler repack kit	1
20	P-RKS369ZAASS40	muffler sleeve kit	1