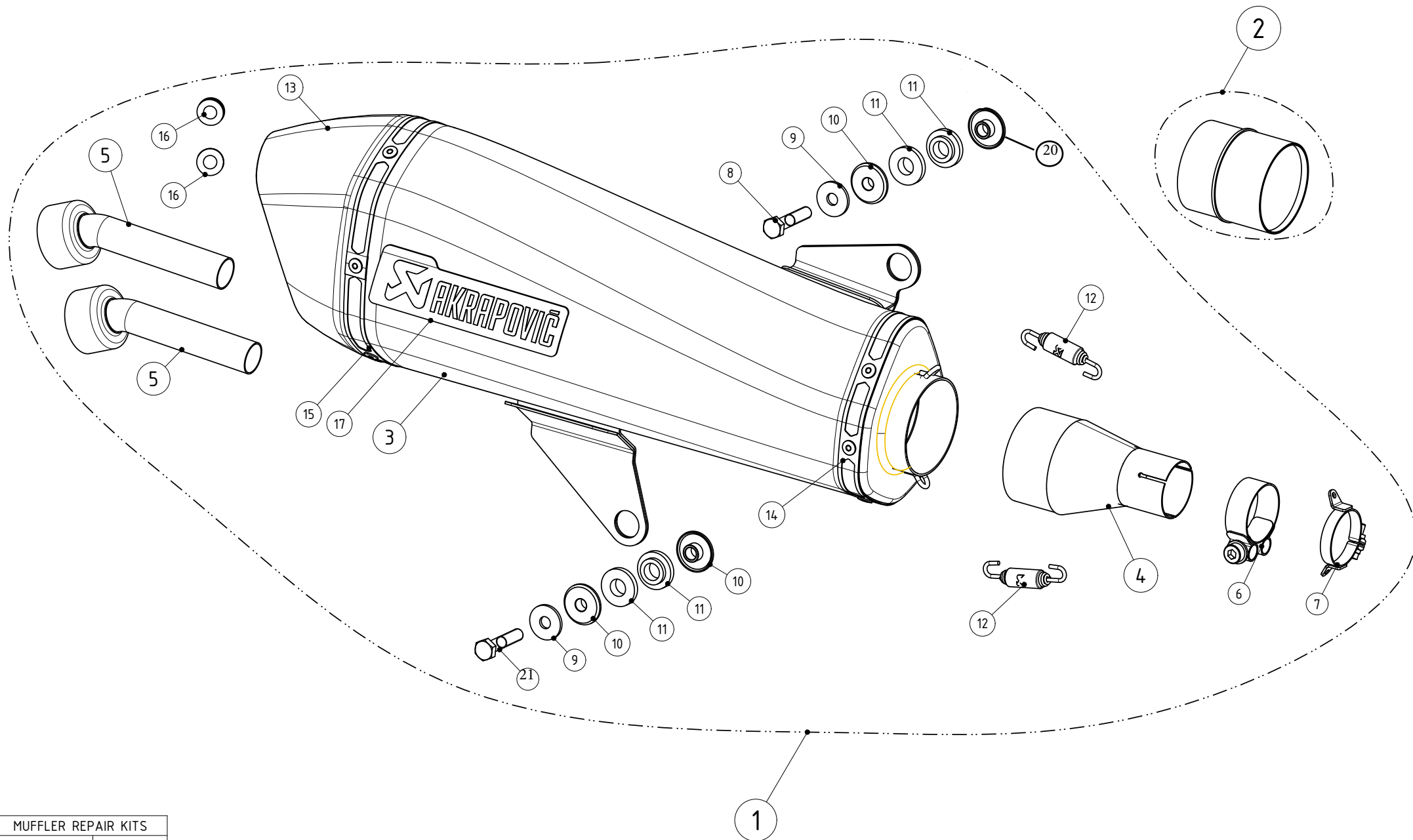


WARNING! EC TYPE APPROVAL IS VALID ONLY WHEN OPTIONAL CATALYTIC CONVERTER IS INSTALLED!



MUFFLER REPAIR KITS	
REPACK	18
SLEEVE	19

No.	SALES CODE	DESCRIPTION	QTY.
1	S-PI3SO4-HSS	slip on system	1
2	P-KAT-028	catalyst	1
3	M-HZAA00202SS/3	muffler SS	1
4	L-PI3SO5SS	link pipe SS	1
5	V-TUV114	insert SS	2
6	P-R53	clamp ss	1
7	P-R54R	clamp SS	1
8	P-FB12	bolt	1
9	P-DR4	washer SS	2
10	P-DR54	spacer bushe AL	3
11	P-GUV002	rubber insert	4
12	P-S2	spring	2
13	V-EC148	end cap CA	1
14	P-TT43	belt TI for TI sleeve	1
15	P-TT28	belt TI for TI sleeve	1
16	P-GUV004	rubber insert	2
17	P-HST2AL	sticker	1
18	P-RPCK60	muffler repack kit	1
19	P-RKS361ZAASS40	muffler sleeve kit	1
20	P-DR73	spacer bush AL	1
21	P-FB11	bolt	1