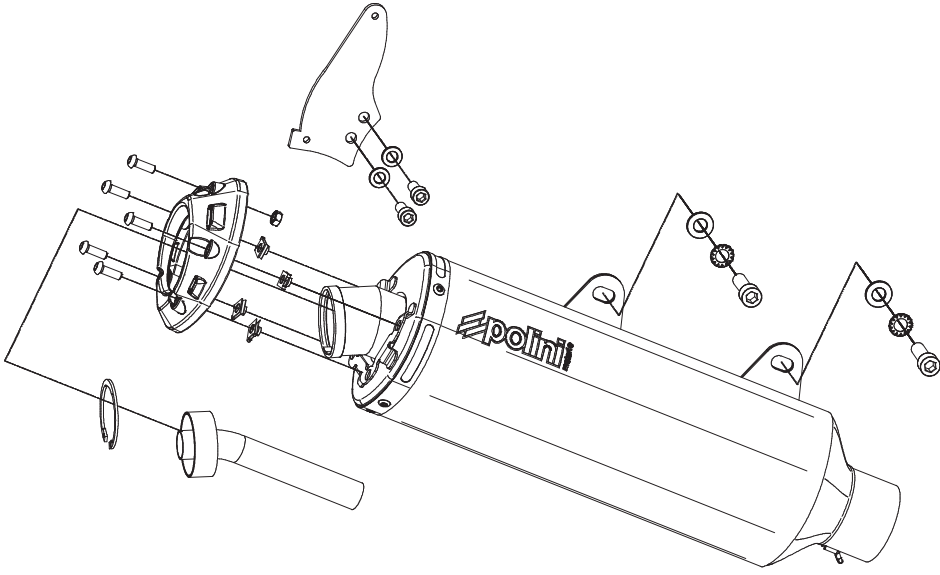


KYMCO K-XCT 300 i

Silencer



Collector

